



GB Racing Clutch + Alternator Cover + Protection Set Kawasaki ZX 6R

CP-ZX6-2013-CS-GBR

[Read More](#)

SKU:

Price: ₹40,000.00

Categories: [Clutch Cover](#)

Product Description

GB Racing Clutch + Alternator Cover + Protection Set CP-ZX6-2013-CS-GBR The kit includes: Kickstand pawls (BA12-8-GBR-SET) + Chain guard (CGA09-GBR) + Alternator guard (EC-ZX6-2009-1-GBR) + Clutch guard (EC-ZX6-2009-2-GBR) + Pick-up protection (EC-ZX6-2007-3-GBR) GB Racing is a specialist in motorcycle protection, producing frame, engine and fairing protections for the motorcycles of the most prestigious brands. The innovative GB Racing protections are made using a hot forging technique in sturdy 6.6 nylon, making them much more resistant to abrasion, heat developed by the engine and impact. Structurally, the Nylon fiber absorbs the kinetic energy of impact better, while the hot injection of the components during the construction phase allows effective elasticity. In addition to the undoubted improvement of the aesthetics of the bike, the protection of the engine and the frame remain the main purpose of the GB Racing components, protecting all the most delicate parts from accidental collisions or sliding with the asphalt, as well as from bad weather, dust and debris from from the road surface.



GB Racing Clutch + Alternator Cover Ducati DesertX

EC-V2-950-2021-SET-GBR

[Read More](#)

SKU:

Price: ₹40,000.00

Categories: [Accessories](#)

Product Description

GB Racing Clutch + Alternator Cover Set EC-V2-950-2021-SET-GBR GB Racing products are the benchmark in high-performance, bolt-on motorcycle protection for the short circuit, road racing and street bike community and the only manufacturer of motorcycle protection to have received FIM product approval, a mark of quality carried since 2009. This has now been renewed for 2021 through to 2023 on our range of bolt-on secondary engine covers. Championships cover IDM, AMA, CIV, IDM, FFM EWC, BSB, WSBK, MotoGP and more.



GB Racing Clutch + Alternator Cover Ducati V2

EC-959-2016-SET-GBR

[Read More](#)

SKU:

Price: ₹40,000.00

Categories: [Accessories](#)

Product Description

GB Racing Clutch + Alternator Cover Set EC-959-2016-SET-GBR GB Racing products are the benchmark in high-performance, bolt-on motorcycle protection for the short circuit, road racing and street bike community and the only manufacturer of motorcycle protection to have received FIM product approval, a mark of quality carried since 2009. This has now been renewed for 2021 through to 2023 on our range of bolt-on secondary engine covers. Championships cover IDM, AMA, CIV, IDM, FFM EWC, BSB, WSBK, MotoGP and more.



GB Racing Clutch + Alternator Cover Set Aprilia RS 660

EC-RS660-2021-SET-GBR

[Read More](#)

SKU:

Price: ₹48,500.00

Categories: [Clutch Cover](#)

Product Description

GB Racing Clutch + Alternator Cover Set EC-RS660-2021-SET-GBR GB Racing products are the benchmark in high-performance, bolt-on motorcycle protection for the short circuit, road racing and street bike community and the only manufacturer of motorcycle protection to have received FIM product approval, a mark of quality carried since 2009. This has now been renewed for 2021 through to 2023 on our range of bolt-on secondary engine covers. Championships cover IDM, AMA, CIV, IDM, FFM EWC, BSB, WSBK, MotoGP and more.



GB Racing Clutch + Alternator Cover Set BMW S 1000 RR

EC-S1000RR-2019-SET-GBR

[Read More](#)

SKU:

Price: ₹46,500.00

Categories: [Clutch Cover](#)

Product Description

GB Racing Clutch + Alternator Cover Set EC-S1000RR-2019-SET-GBR GB Racing products are

the benchmark in high-performance, bolt-on motorcycle protection for the short circuit, road racing and street bike community and the only manufacturer of motorcycle protection to have received FIM product approval, a mark of quality carried since 2009. This has now been renewed for 2021 through to 2023 on our range of bolt-on secondary engine covers. Championships cover IDM, AMA, CIV, IDM, FFM EWC, BSB, WSBK, MotoGP and more.



GB Racing Clutch + Alternator Cover Set Ducati 1098 / 1198

EC-1198-2007-SET-GBR

[Read More](#)

SKU:

Price: ₹35,000.00

Categories: [Clutch Cover](#)

Product Description

GB Racing Clutch + Alternator Cover Set EC-1198-2007-SET-GBR GB Racing products are the benchmark in high-performance, bolt-on motorcycle protection for the short circuit, road racing and street bike community and the only manufacturer of motorcycle protection to have received FIM product approval, a mark of quality carried since 2009. This has now been renewed for 2021 through to 2023 on our range of bolt-on secondary engine covers. Championships cover IDM, AMA, CIV, IDM, FFM EWC, BSB, WSBK, MotoGP and more.



GB Racing Clutch + Alternator Cover Set Ducati Streetfighter V4 / V4S

EC-V4S-SF-2020-SET-GBR

[Read More](#)

SKU:

Price: ₹34,500.00

Categories: [Clutch Cover](#)

Product Description

GB Racing Clutch + Alternator Cover Set EC-V4S-SF-2020-SET-GBR GB Racing products are the benchmark in high-performance, bolt-on motorcycle protection for the short circuit, road racing and street bike community and the only manufacturer of motorcycle protection to have received FIM product approval, a mark of quality carried since 2009. This has now been renewed for 2021 through to 2023 on our range of bolt-on secondary engine covers. Championships cover IDM, AMA, CIV, IDM, FFM EWC, BSB, WSBK, MotoGP and more.



GB Racing Clutch + Alternator Cover Set Ducati V4 / V4S

EC-V4-2018-SET-GBR

[Read More](#)

SKU:

Price: ₹45,600.00

Categories: [Clutch Cover](#)

Product Description

GB Racing Clutch + Alternator Cover Set EC-V4-2018-SET-GBR GB Racing products are the

benchmark in high-performance, bolt-on motorcycle protection for the short circuit, road racing and street bike community and the only manufacturer of motorcycle protection to have received FIM product approval, a mark of quality carried since 2009. This has now been renewed for 2021 through to 2023 on our range of bolt-on secondary engine covers. Championships cover IDM, AMA, CIV, IDM, FFM EWC, BSB, WSBK, MotoGP and more.



GB Racing Clutch + Alternator Cover Set Kawasaki Ninja 650

EC-Z650-2017-SET-GBR

[Read More](#)

SKU:

Price: ₹34,000.00

Categories: [Clutch Cover](#)

Product Description

GB Racing Clutch + Alternator Cover Set EC-Z650-2017-SET-GBR GB Racing products are the benchmark in high-performance, bolt-on motorcycle protection for the short circuit, road racing and street bike community and the only manufacturer of motorcycle protection to have received FIM product approval, a mark of quality carried since 2009. This has now been renewed for 2021 through to 2023 on our range of bolt-on secondary engine covers. Championships cover IDM, AMA, CIV, IDM, FFM EWC, BSB, WSBK, MotoGP and more.



GB Racing Clutch + Alternator Cover Set Kawasaki Z 900

EC-Z900-2017-SET-GBR

[Read More](#)

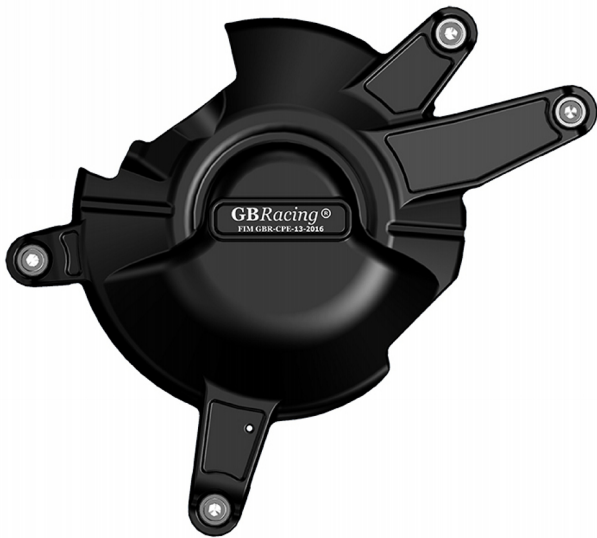
SKU:

Price: ₹35,500.00

Categories: [Clutch Cover](#)

Product Description

GB Racing Clutch + Alternator Cover Set EC-Z900-2017-SET-GBR GB Racing products are the benchmark in high-performance, bolt-on motorcycle protection for the short circuit, road racing and street bike community and the only manufacturer of motorcycle protection to have received FIM product approval, a mark of quality carried since 2009. This has now been renewed for 2021 through to 2023 on our range of bolt-on secondary engine covers. Championships cover IDM, AMA, CIV, IDM, FFM EWC, BSB, WSBK, MotoGP and more.



GB Racing Clutch Cover Honda CBR 650R

EC-CBR650F-2014-2-GBR

[Read More](#)

SKU:

Price: ₹15,000.00

Categories: [Clutch Cover](#)

Product Description

GB Racing Clutch Cover Set EC-CBR650F-2014-2-GBR GB Racing products are the benchmark in

high-performance, bolt-on motorcycle protection for the short circuit, road racing and street bike community and the only manufacturer of motorcycle protection to have received FIM product approval, a mark of quality carried since 2009. This has now been renewed for 2021 through to 2023 on our range of bolt-on secondary engine covers. Championships cover IDM, AMA, CIV, IDM, FFM EWC, BSB, WSBK, MotoGP and more.

GB Racing Clutch Cover Kawasaki ZX 10R



EC-ZX10-2011-2-GBR

[Read More](#)

SKU:

Price: ₹13,000.00

Categories: [Clutch Cover](#)

Product Description

EC-ZX10-2011-2-GBR Material: 60% long glass fibered Nylon GB Racing is a specialist in motorcycle protection, producing frame, engine and fairing protections for the motorcycles of the most prestigious brands. The innovative GB Racing protections are made using a hot forging technique in sturdy 6.6 nylon, making them much more resistant to abrasion, heat developed by the engine and impact. Structurally, the Nylon fiber absorbs the kinetic energy of impact better, while the hot injection of the components during the construction phase allows effective elasticity. In addition to the undoubted improvement of the aesthetics of the bike, the protection of the engine and the frame remain the main purpose of the GB Racing components, protecting all the most delicate parts from accidental collisions or sliding with the asphalt, as well as from bad weather, dust and debris from from the road surface. In fact, the GB Racing crankcases are easily installed in a few minutes and perfectly match the shape of the bike.

GB Racing Rear Spool Black - Kawasaki ZX 6R



BA12-8-GBR-SET

[Read More](#)

SKU:

Price: ₹4,600.00

Categories: [Rear Spools](#)

Product Description

GB Racing Rear Spool BA12-8-GBR-SET **Compatible with motorcycles that require M8x40mm.** GB Racing is a specialist in motorcycle protection, producing frame, engine and fairing protections for the motorcycles of the most prestigious brands. The innovative GB Racing protections are made using a hot forging technique in sturdy 6.6 nylon, making them much more resistant to abrasion, heat developed by the engine and impact. Structurally, the Nylon fiber absorbs the kinetic energy of impact better, while the hot injection of the components during the construction phase allows effective elasticity. In addition to the undoubted improvement of the aesthetics of the bike, the protection of the engine and the frame remain the main purpose of the GB Racing components, protecting all the most delicate parts from accidental collisions or sliding with the asphalt, as well as from bad weather, dust and debris from from the road surface. In fact, the GB Racing crankcases are easily installed in a few minutes and perfectly match the shape of the bike.
