



CNC Pramac Racing Limited Edition Clear Clutch Cover Black Ducati V2

CA202BPR

[Read More](#)

SKU:

Price: ₹29,000.00

Categories: [Clutch Cover](#)

Product Description

CNC Pramac Racing Limited Edition Clear Clutch Cover CA202BPR Color: Black Transparent cover for Ducati oil clutches made of machined from solid aluminum. Transparency is obtained with a Lexan sheet resistant to shocks and temperatures, whose hydraulic seal is guaranteed by the use of a specific o-ring. Weight gr. 1.300 **NOTE: Optional titanium screw kit available with code KV304X**



CNC Pramac Racing Limited Edition Clear Clutch Cover Black Ducati V4 / V4S

CA210BPR

[Read More](#)

SKU:

Price: ₹33,000.00

Categories: [Clutch Cover](#)

Product Description

CNC Pramac Racing Limited Edition Clear Clutch Cover CA210BPR Color: Black Clear oil bath clutch cover for Ducati Panigale V4, made in light alloy, machined from solid and then anodized.

Transparency is obtained with a panel Lexan, resistant to shock and temperatures, while the watertightness is guaranteed by a specific O-ring.

Weight gr. 1,300 Titanium screw set available as optional, code **KV430X**



CNC Pramac Racing Limited Edition Clear Clutch Cover Red Ducati V2

CA202RPR

[Read More](#)

SKU:

Price: ₹29,000.00

Categories: [Clutch Cover](#)

Product Description

CNC Pramac Racing Limited Edition Clear Clutch Cover CA202RPR Color: Red Transparent cover for Ducati oil clutches made of machined from solid aluminum. Transparency is obtained with a Lexan sheet resistant to shocks and temperatures, whose hydraulic seal is guaranteed by the use of a specific o-ring. Weight gr. 1.300 **NOTE: Optional titanium screw kit available with code KV304X**



CNC Pramac Racing Limited Edition Clear Clutch Cover Red Ducati V4 / V4S

CA210RPR

[Read More](#)

SKU:

Price: ₹33,000.00

Categories: [Clutch Cover](#)

Product Description

CNC Pramac Racing Limited Edition Clear Clutch Cover CA210RPR Color: Red Clear oil bath clutch cover for Ducati Panigale V4, made in light alloy, machined from solid and then anodized. Transparency is obtained with a panel Lexan, resistant to shock and temperatures, while the watertightness is guaranteed by a specific O-ring.

Weight gr. 1,300 Titanium screw set available as optional, code **KV430X**



Ducabike Clear Clutch Cover Oil Bath Black Triumph Street Triple 765

CCDV13DD

[Read More](#)

SKU:

Price: ₹69,500.00

Categories: [Clutch Cover](#)

Product Description

Ducabike Clear Clutch Cover Oil Bath CCDV13DD Color: Black-black Made entirely from solid aluminum alloy with 3D technology, surface colored anodizing. Porthole in special high performance plastic material. Ready for assembly, complete with all the necessary small parts, it replaces the original one without any modification.



Ducabike Clear Clutch Cover Oil Bath Gold Triumph Street Triple 765

CCDV13DB

[Read More](#)

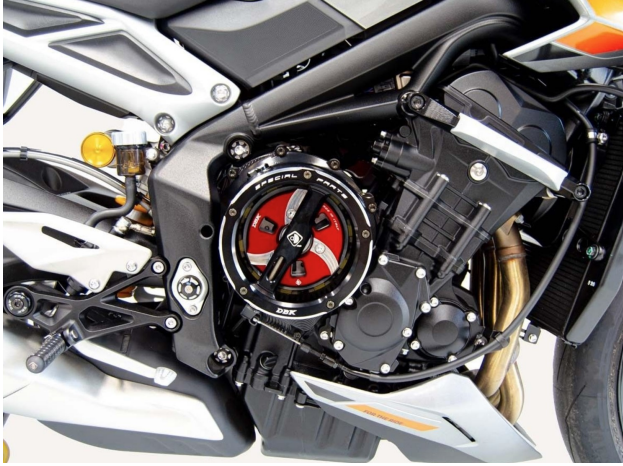
SKU:

Price: ₹69,500.00

Categories: [Clutch Cover](#)

Product Description

Ducabike Clear Clutch Cover Oil Bath CCDV13DB Color: Black-gold Made entirely from solid aluminum alloy with 3D technology, surface colored anodizing. Porthole in special high performance plastic material. Ready for assembly, complete with all the necessary small parts, it replaces the original one without any modification.



Ducabike Clear Clutch Cover Oil Bath Red Triumph Street Triple 765

CCDV13DA

[Read More](#)

SKU:

Price: ₹69,500.00

Categories: [Clutch Cover](#)

Product Description

Ducabike Clear Clutch Cover Oil Bath CCDV13DA Color: Black-red Made entirely from solid aluminum alloy with 3D technology, surface colored anodizing. Porthole in special high performance plastic material. Ready for assembly, complete with all the necessary small parts, it replaces the original one without any modification.



Ducabike Clear Clutch Cover Oil Bath Silver Triumph Street Triple 765

CCDV13DE

[Read More](#)

SKU:

Price: ₹69,500.00

Categories: [Clutch Cover](#)

Product Description

Ducabike Clear Clutch Cover Oil Bath CCDV13DE Color: Black-silver Made entirely from solid aluminum alloy with 3D technology, surface colored anodizing. Porthole in special high performance plastic material. Ready for assembly, complete with all the necessary small parts, it replaces the original one without any modification.



Ducabike Clutch Cover Ducati 1299 / 959 / V2 / Streetfighter V2 (various colors)

CC119902

[Read More](#)

SKU:

Price: ₹25,000.00

Categories: [Clutch Cover](#)

Product Description

Transparent brushed clutch cover CC119902

- Anodized aluminum
- Transparent porthole
- Mounts on original clutches
- For better fitment, please install Ducabike push springs SM01, and pressure plate code CCDV05SM (available separately)



Ducabike Clutch Cover / V4S / Streetfighter (various colors)

CCV401

[Read More](#)

SKU:

Price: ₹25,000.00

Categories: [Clutch Cover](#)

Product Description

Transparent brushed clutch cover CCV401

- Anodized aluminum
- Transparent porthole
- Mounts on original clutches
- For better fitment, please install Ducabike push springs billet aluminum SM01 and pressure plate code PSF04 (available separately)



Ducabike Clutch Pressure Plate Ducati 1299 / 959 / V2 / Streetfighter V2 (various colors)

CCDV05SM

[Read More](#)

SKU:

Price: ₹21,500.00

Categories: [Pressure Plate](#)

Product Description

Billet aluminum 7075 3d technology, anodizing colored surface. CCDV05SM

- Anodized aluminum
- For better fitment, please install Ducabike push springs CCDV01SM (available separately)

Ducabike Clutch Pressure Plate Ducati V4 / V4S / Streetfighter V4/ V4S (various colors)



PSF04

[Read More](#)

SKU:

Price: ₹21,500.00

Categories: [Pressure Plate](#)

Product Description

Billet aluminum 7075 3d technology, anodizing colored surface. PSF04

- Anodized aluminum
- For better fitment, please install Ducabike push springs billet aluminum SM01 (available separately)

Ducabike Clutch Spring Ducati 1299 / 959 / V2 / V4 / V4S / Streetfighter V2 / V4 / V4s (various colors)



SM01

[Read More](#)

SKU:

Price: ₹4,600.00

Categories: [Clutch Springs](#)

Product Description

Billet aluminum 7075, colored anodization. SM01



GB Racing Clutch + Alternator Cover Set Aprilia RS 660

EC-RS660-2021-SET-GBR

[Read More](#)

SKU:

Price: ₹48,500.00

Categories: [Clutch Cover](#)

Product Description

GB Racing Clutch + Alternator Cover Set EC-RS660-2021-SET-GBR GB Racing products are the benchmark in high-performance, bolt-on motorcycle protection for the short circuit, road racing and street bike community and the only manufacturer of motorcycle protection to have received FIM product approval, a mark of quality carried since 2009. This has now been renewed for 2021 through to 2023 on our range of bolt-on secondary engine covers. Championships cover IDM, AMA, CIV, IDM, FFM EWC, BSB, WSBK, MotoGP and more.



GB Racing Clutch + Alternator Cover Set BMW S 1000 RR

EC-S1000RR-2019-SET-GBR

[Read More](#)

SKU:

Price: ₹46,500.00

Categories: [Clutch Cover](#)

Product Description

GB Racing Clutch + Alternator Cover Set EC-S1000RR-2019-SET-GBR GB Racing products are the benchmark in high-performance, bolt-on motorcycle protection for the short circuit, road racing and street bike community and the only manufacturer of motorcycle protection to have received FIM product approval, a mark of quality carried since 2009. This has now been renewed for 2021 through to 2023 on our range of bolt-on secondary engine covers. Championships cover IDM, AMA, CIV, IDM, FFM EWC, BSB, WSBK, MotoGP and more.



GB Racing Clutch + Alternator Cover Set Ducati 1098 / 1198

EC-1198-2007-SET-GBR

[Read More](#)

SKU:

Price: ₹35,000.00

Categories: [Clutch Cover](#)

Product Description

GB Racing Clutch + Alternator Cover Set EC-1198-2007-SET-GBR GB Racing products are the benchmark in high-performance, bolt-on motorcycle protection for the short circuit, road racing and street bike community and the only manufacturer of motorcycle protection to have received FIM product approval, a mark of quality carried since 2009. This has now been renewed for 2021 through to 2023 on our range of bolt-on secondary engine covers. Championships cover IDM, AMA, CIV, IDM, FFM EWC, BSB, WSBK, MotoGP and more.



GB Racing Clutch + Alternator Cover Set Ducati Streetfighter V4 / V4S

EC-V4S-SF-2020-SET-GBR

[Read More](#)

SKU:

Price: ₹34,500.00

Categories: [Clutch Cover](#)

Product Description

GB Racing Clutch + Alternator Cover Set EC-V4S-SF-2020-SET-GBR GB Racing products are the benchmark in high-performance, bolt-on motorcycle protection for the short circuit, road racing and street bike community and the only manufacturer of motorcycle protection to have received FIM product approval, a mark of quality carried since 2009. This has now been renewed for 2021 through to 2023 on our range of bolt-on secondary engine covers. Championships cover IDM, AMA, CIV, IDM, FFM EWC, BSB, WSBK, MotoGP and more.



GB Racing Clutch + Alternator Cover Set Ducati V4 / V4S

EC-V4-2018-SET-GBR

[Read More](#)

SKU:

Price: ₹45,600.00

Categories: [Clutch Cover](#)

Product Description

GB Racing Clutch + Alternator Cover Set EC-V4-2018-SET-GBR GB Racing products are the

benchmark in high-performance, bolt-on motorcycle protection for the short circuit, road racing and street bike community and the only manufacturer of motorcycle protection to have received FIM product approval, a mark of quality carried since 2009. This has now been renewed for 2021 through to 2023 on our range of bolt-on secondary engine covers. Championships cover IDM, AMA, CIV, IDM, FFM EWC, BSB, WSBK, MotoGP and more.



GB Racing Clutch + Alternator Cover Set Kawasaki Ninja 650

EC-Z650-2017-SET-GBR

[Read More](#)

SKU:

Price: ₹34,000.00

Categories: [Clutch Cover](#)

Product Description

GB Racing Clutch + Alternator Cover Set EC-Z650-2017-SET-GBR GB Racing products are the benchmark in high-performance, bolt-on motorcycle protection for the short circuit, road racing and street bike community and the only manufacturer of motorcycle protection to have received FIM product approval, a mark of quality carried since 2009. This has now been renewed for 2021 through to 2023 on our range of bolt-on secondary engine covers. Championships cover IDM, AMA, CIV, IDM, FFM EWC, BSB, WSBK, MotoGP and more.



GB Racing Clutch + Alternator Cover Set Kawasaki Z 900

EC-Z900-2017-SET-GBR

[Read More](#)

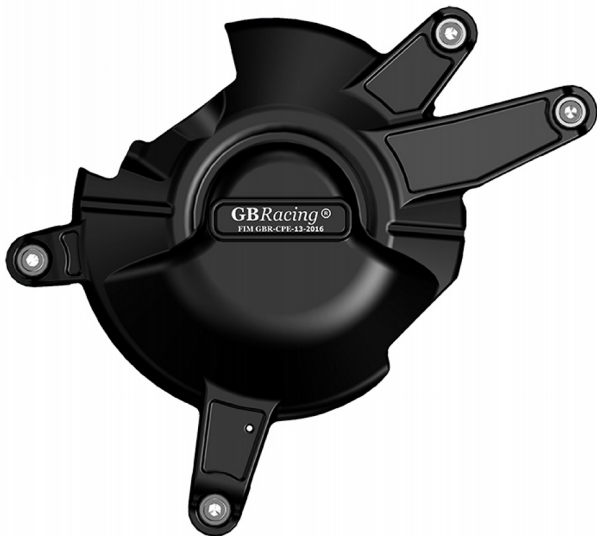
SKU:

Price: ₹35,500.00

Categories: [Clutch Cover](#)

Product Description

GB Racing Clutch + Alternator Cover Set EC-Z900-2017-SET-GBR GB Racing products are the benchmark in high-performance, bolt-on motorcycle protection for the short circuit, road racing and street bike community and the only manufacturer of motorcycle protection to have received FIM product approval, a mark of quality carried since 2009. This has now been renewed for 2021 through to 2023 on our range of bolt-on secondary engine covers. Championships cover IDM, AMA, CIV, IDM, FFM EWC, BSB, WSBK, MotoGP and more.



GB Racing Clutch Cover Honda CBR 650R

EC-CBR650F-2014-2-GBR

[Read More](#)

SKU:

Price: ₹15,000.00

Categories: [Clutch Cover](#)

Product Description

GB Racing Clutch Cover Set EC-CBR650F-2014-2-GBR GB Racing products are the benchmark in

high-performance, bolt-on motorcycle protection for the short circuit, road racing and street bike community and the only manufacturer of motorcycle protection to have received FIM product approval, a mark of quality carried since 2009. This has now been renewed for 2021 through to 2023 on our range of bolt-on secondary engine covers. Championships cover IDM, AMA, CIV, IDM, FFM EWC, BSB, WSBK, MotoGP and more.

GB Racing Clutch Cover Kawasaki ZX 10R



EC-ZX10-2011-2-GBR

[Read More](#)

SKU:

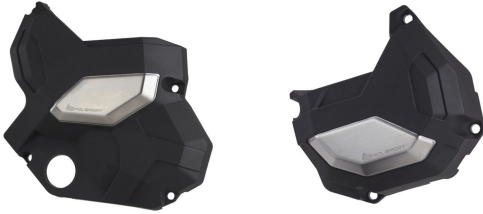
Price: ₹13,000.00

Categories: [Clutch Cover](#)

Product Description

EC-ZX10-2011-2-GBR Material: 60% long glass fibered Nylon GB Racing is a specialist in motorcycle protection, producing frame, engine and fairing protections for the motorcycles of the most prestigious brands. The innovative GB Racing protections are made using a hot forging technique in sturdy 6.6 nylon, making them much more resistant to abrasion, heat developed by the engine and impact. Structurally, the Nylon fiber absorbs the kinetic energy of impact better, while the hot injection of the components during the construction phase allows effective elasticity. In addition to the undoubted improvement of the aesthetics of the bike, the protection of the engine and the frame remain the main purpose of the GB Racing components, protecting all the most delicate parts from accidental collisions or sliding with the asphalt, as well as from bad weather, dust and debris from from the road surface. In fact, the GB Racing crankcases are easily installed in a few minutes and perfectly match the shape of the bike.

Polisport Clutch & Alternator Cover Kawasaki Ninja 650 / Z 650 - Black



91107 - Black

[Read More](#)

SKU:

Price: ₹20,000.00

Categories: [Clutch Cover](#), [Protectors](#)

Product Description

Polisport Clutch & Alternator Cover

Polisport Engine Cover Protectors were designed to be the best protections in the market. Through research and development, we found the best materials to protect the engine from crashes and falls. We used a blend of highly resistant plastic with over-injected metallic parts to increase the protection level. We also took design seriously, with a minimalistic but high-tech approach, never forgetting function, which is the crux of our product.

91107 - Black Function Highly resistant protection of the engine cover against stone strikes and damage from falls or impacts when handling the bike Impact-absorbing rubber inserts positioned to cushion the contact between part and engine cover Perfect shape to perfectly fit your bike model. Small gap between standard cover and protection Rubber inserts allow a more even force distribution High-quality hardware Rubber inserts are resistant to high temperatures Technology Highly resistant plastic polymer to protect against falls and impacts Over-injected metal part strategically positioned to enhance protection in the event of a crash High-quality precision manufacture with over-injected impact-absorbing rubber inserts and over-injected stainless-steel insert Other Features Mounting kit included Fast and easy installation and removal Engraved metallic part with Polisport logo Texturized surface for a premium look Minimal design to blend into motorcycle look Developed and made in Europe Packaging Packed in recycled carton box Includes one Clutch and Alternator Cover Protector Includes all material needed for an easy installation

Polisport Clutch & Alternator Cover Kawasaki Z 900 - Black



91106 - Black

[Read More](#)

SKU:

Price: ₹17,000.00

Categories: [Clutch Cover](#), [Protectors](#)

Product Description

Polisport Clutch & Alternator Cover

Polisport Engine Cover Protectors were designed to be the best protections in the market. Through research and development, we found the best materials to protect the engine from crashes and falls. We used a blend of highly resistant plastic with over-injected metallic parts to increase the protection level. We also took design seriously, with a minimalistic but high-tech approach, never forgetting function, which is the crux of our product.

91106 - Black Function Highly resistant protection of the engine cover against stone strikes and damage from falls or impacts when handling the bike Impact-absorbing rubber inserts positioned to cushion the contact between part and engine cover Perfect shape to perfectly fit your bike model. Small gap between standard cover and protection Rubber inserts allow a more even force distribution High-quality hardware Rubber inserts are resistant to high temperatures Technology Highly resistant plastic polymer to protect against falls and impacts Over-injected metal part strategically positioned to enhance protection in the event of a crash High-quality precision manufacture with over-injected impact-absorbing rubber inserts and over-injected stainless-steel insert Other Features Mounting kit included Fast and easy installation and removal Engraved metallic part with Polisport logo Texturized surface for a premium look Minimal design to blend into motorcycle look Developed and made in Europe Packaging Packed in recycled carton box Includes one Clutch and Alternator Cover Protector Includes all material needed for an easy installation

STM Clutch Cover Red Ducati V4 / V4S / Streetfighter V4/ V4S

ODU-R500

[Read More](#)

SKU:

Price: ₹28,700.00

Categories: [Clutch Cover](#)



Product Description

Transparent brushed clutch cover

- Anodized aluminum
- Transparent porthole
- Mounts on original clutches

STM Clutch Cover Silver Ducati 959

ODU-S100

[Read More](#)

SKU:

Price: ₹25,500.00

Categories: [Clutch Cover](#)



Product Description

Transparent brushed clutch cover

- Anodized aluminum
 - Transparent porthole
 - Mounts on original clutches
-



STM Clutch Cover Silver Ducati V4 / V4S / Streetfighter V4/ V4S

ODU-S500

[Read More](#)

SKU:

Price: ₹28,700.00

Categories: [Clutch Cover](#)

Product Description

Transparent brushed clutch cover

- Anodized aluminum
 - Transparent porthole
 - Mounts on original clutches
-



STM Slipper Clutch Ducati Streetfighter V4

FDU-S100

[Read More](#)

SKU:

Price: ₹120,000.00

Categories: [Clutches](#)

Product Description

Product Detail

Anti-Slip Oil Bath Clutch

From the classic line of Slipper clutches for Ducati motorcycles, mechanical machining is performed starting from full with the most modern numerical control machines (CNC) on various materials: ergal, anticorodal, stainless steel, titanium.



STM Slipper Clutch Ducati Streetfighter V4S

FDU-S100

[Read More](#)

SKU:

Price: ₹120,000.00

Categories: [Clutches](#)

Product Description

Product Detail

Anti-Slip Oil Bath Clutch

From the classic line of Slipper clutches for Ducati motorcycles, mechanical machining is performed starting from full with the most modern numerical control machines (CNC) on various materials: ergal, anticorodal, stainless steel, titanium.



STM Slipper Clutch Ducati V4

FDU-S100

[Read More](#)

SKU:

Price: ₹120,000.00

Categories: [Clutches](#)

Product Description

Product Detail

Anti-Slip Oil Bath Clutch

From the classic line of Slipper clutches for Ducati motorcycles, mechanical machining is performed starting from full with the most modern numerical control machines (CNC) on various materials: ergal, anticorodal, stainless steel, titanium.



STM Slipper Clutch Ducati V4S

FDU-S100

[Read More](#)

SKU:

Price: ₹120,000.00

Categories: [Clutches](#)

Product Description

Product Detail

From the classic line of Slipper clutches for Ducati motorcycles, mechanical machining is performed starting from full with the most modern numerical control machines (CNC) on various materials: ergal, anticorodal, stainless steel, titanium.



STM Slipper Clutch Honda CBR 1000RR

FHN-S170

[Read More](#)

SKU:

Price: ₹117,000.00

Categories: [Clutches](#)

Product Description

Product Detail

Anti-Slip Oil Bath Clutch

From the classic line of Slipper clutches for Ducati motorcycles, mechanical machining is performed starting from full with the most modern numerical control machines (CNC) on various materials: ergal, anticorodal, stainless steel, titanium.



STM Slipper Clutch Kawasaki ZX 10R

FKW-S081

[Read More](#)

SKU:

Price: ₹120,000.00

Categories: [Clutches](#)

Tags: [Kawasaki](#)

Product Description

Product Detail

Anti-Slip Oil Bath Clutch

From the classic line of Slipper clutches for Ducati motorcycles, mechanical machining is performed starting from full with the most modern numerical control machines (CNC) on various materials: ergal, anticorodal, stainless steel, titanium.



STM Wet Slipper Clutch Ducati 959

FDU-S070

[Read More](#)

SKU:

Price: ₹120,000.00

Categories: [Clutches](#)

Product Description

Product Detail

Anti-Slip Oil Bath Clutch

From the classic line of Slipper clutches for Ducati motorcycles, mechanical machining is performed starting from full with the most modern numerical control machines (CNC) on various materials: ergal, anticorodal, stainless steel, titanium.
