



Exhausts for



KAWASAKI



NINJA 300



**KAWASAKI NINJA 300**

Vehicle Type: EX300, EX300AB EX300AB1

**GP**

STAINLESS STEEL

LINE **FULL SYSTEM**  
POSITION STANDARD  
HOMOLOGATION  dB(A)  CO<sub>2</sub>

EMISSIONS NOTICE

Designed to improve the **aesthetics, sound and performance** of the bike, Mivv slip-on exhausts are the result of maximum attention to design, with the aim of satisfying those who want to **distinguish** themselves by the look of their motorbikes.

Manufactured implementing the technical solutions of **competition** models, the GP exhaust is a round short silencer with widened outlet.



THE ADVANTAGES OF THIS EXHAUST

Power **+2,10** HP

Torque **+0,20** Nm

Weight **-4,40** kg

BENCH MEASUREMENTS

Version	Max Power (HP)	RPM	Max Torque (Nm)	RPM	Weight (kg)
STOCK	34,80	11.000	23,70	10.000	8,50
<b>STORM</b> RACING PARTS	36,90	12.300	23,90	8.100	4,10



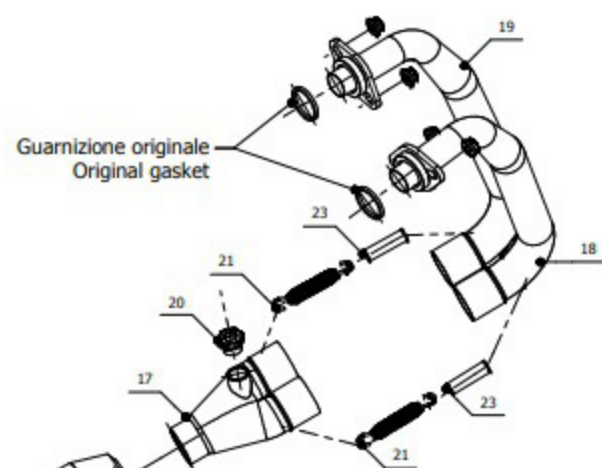
MODEL **KAWASAKI NINJA 300**  
LINE **SPORT**

YEAR  
MUFFLER **GP**

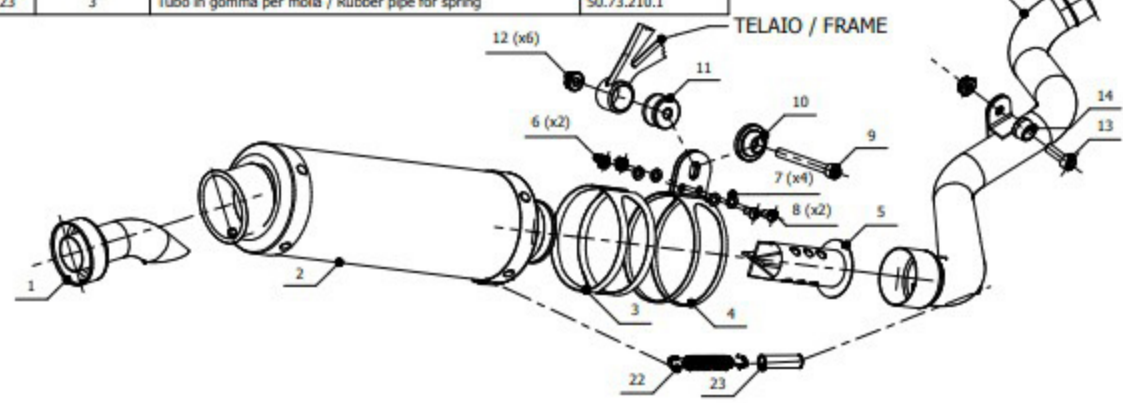
SCHEMATIC

ELENCO PARTI / PARTS LIST

#	QTA / QTY	DESCRIZIONE / DESCRIPTION	CODICE / CODE
1	1	DB killer / DB killer	50.DK.020.0
2	1	Silenziatore / Muffler	GP
3	1	Protezione in gomma per staffa / Rubber protection for bracket	50.73.077.1
4	1	Staffa / Bracket	50.SS.241.1
5	1	Db Killer / DB killer	50.DK.081.0
6	2	Dado M6 / Nut M6	50.73.146.1
7	4	Rondella M6 / Washer M6	50.72.027.1
8	2	Vite M6 x 12 / Screw M6 x 12	50.72.024.1
9	1	Vite M8x80 / Screw M8x80	50.73.072.1
10	1	Rondella in alluminio / Aluminium washer	50.73.063.1
11	1	Distanziale in alluminio / Aluminium spacer	50.SS.056.1
12	6	Dado 8 MA flangiato / Flanged nut 8 MA	50.73.393.1
13	1	Vite M8x25 / Screw M8x25	50.73.064.1
14	1	Rondella in alluminio / Aluminium washer	50.73.248.1
15	1	Tubo di raccordo / Link pipe	9773K03652E
16	1	Silenziatore / Muffler	9773K03652D
17	1	Tubo di raccordo 2-1 / Link pipe 2-1	9773K03652C
18	1	Tubo collettore #2 / Down pipe #2	9773K03652B
19	1	Tubo collettore #1 / Down pipe #1	9773K03652A
20	1	Tappo per sonda lambda / Stopper for lambda probe	50.73.198.1
21	2	Molla media / Middle spring	50.73.359.1
22	1	Molla lunga / Long spring	50.71.080.1
23	3	Tubo in gomma per molla / Rubber pipe for spring	50.73.210.1



TELAIO / FRAME



APPLICAZIONI / APPLICATIONS

CODICE / CODE	TUBO / PIPE	SILENZIATORE / MUFFLER	FASCETTA / CLAMP
K.036.L2S	INOX / ST. STEEL	CARBONIO / CARBON FIBER	INOX / ST. STEEL
K.036.L6S	INOX / ST. STEEL	TITANIO / TITANIUM	INOX / ST. STEEL
K.036.LXB	INOX / ST. STEEL	STEEL BLACK	INOX / ST. STEEL